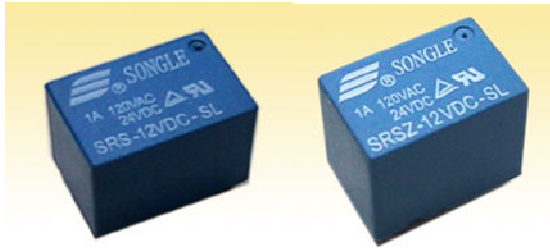


SONGLE RELAY

	RELAY ISO9002	SRS/SRSZ
---	---------------	----------



1. MAIN FEATURES

- Subminiature Type.
- Silver or Silver Alloy Contacts with Gold Plated.
- Low Dissipation.
- Sealed Type Available.
- Design conforms to foreign safety standard UL, CUL, TUV

2. APPLICATIONS

Microprocessor Control, Store Program Exchanger and Household Appliance.

3. ORDERING INFORMATION

SRS/SRSZ	XX VDC	S	L
Model of relay	Nominal coil voltage	Structure	Coil sensitivity
SRS/SRSZ	03 D5 D6 D9 H2 D4 VDC	S: Sealed type F: Flux free type	H: 0.20W L: 0.36W D: 0.45W

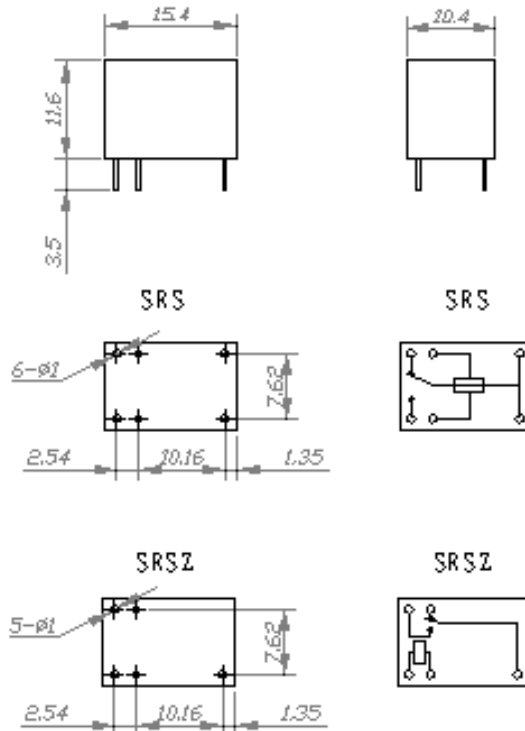
4. RATING

UL /CUL	FILE NUMBER: E167996	1A/120VAC 24VDC
TUV	FILE NUMBER: R50056114	3A/250VAC 30VDC
3A/120VAC 24VDC		

5. DIMENSION (unit:mm)

DRILLING (unit:mm)

WIRING DIAGRAM



6. COIL DATA CHART (AT20 ° C)

Coil Sensitivity	Coil Voltage Code	Nominal Voltage (VDC)	Nominal Current (mA)	Coil Resistance (Ω) □	Power Consumption (W)	Pull-In Voltage (VDC)	Drop-Out Voltage (VDC)	Max-Allowable Voltage (VDC)
SRS(Z) (High Sensitivity)				10%	abt. 0.2 W	75% Max.	5% Min.	110%
	03	03	66.7	45				
	05	05	40	125				
	06	06	33.3	180				
	09	09	22.2	405				
	12	12	16.7	720				
SRS(Z) (Standard)	24	24	8.3	2880	abt. 0.36W	75% Max.	5% Min.	110%
	03	03	120	25				
	05	05	66.7	75				
	06	06	60	100				
	09	09	40.9	220				
	12	12	30	400				
SRS(Z) (Normal Sensitivity)	24	24	15	1600	abt. 0.45W	75% Max.	5% Min.	110%
	03	03	150	20				
	05	05	89.3	56				
	06	06	75	80				
	09	09	50	180				
	12	12	37.5	320				
	24	24	18.75	1280				

7. CONTACT RATING

Item	Type	SRS/SRSZ 1 Amp type	SRS/SRSZ 1 Amp type
Contact Capacity		Coil=0.2W	Coil=0.2W
Resistive Load (cosΦ=1)		1A 125VAC	3A 250VAC
		1A 30VDC	1A 30VDC
Inductive Load (cosΦ=0.4 L/R=7msec)		0.3A 125VAC	0.3A 250VAC
		0.3A 30VDC	0.3A 30VDC
Rated Carrying Current		1 A	1 A
Contact Material		Ag Alloy	Ag Alloy

8. PERFORMANCE (at initial value)

Item	Type	SRS/SRSZ
Contact Resistance		100mΩ Max.
Operation Time		10msec Max.
Release Time		5msec Max.
Dielectric Strength	Between coil & contact	500VAC 50/60HZ (1 minute)
	Between contacts	500VAC 50/60HZ (1 minute)
Insulation Resistance		100 MΩ Min. (500VDC)
Max. ON/OFF Switching		300 operation/min
Mechanically		30 operation/min
Electrically		30 operation/min
Operating Ambient Temperature		-25□C to +70□C
Operating Humidity		45 to 85% RH
Vibration Endurance		10 to 55HZ Single Amplitude 0.35mm
	Error Operation	10 to 55HZ Single Amplitude 0.35mm
Shock Endurance		50G Min.
	Error Operation	10G Min.
Life Expectancy		10 ⁷ operations. Min. (no load)
Mechanically		10 ⁵ operations. Min. (at rated coil voltage)

Weight Electrically abt. 4grs.

9. REFERENCE DATA

